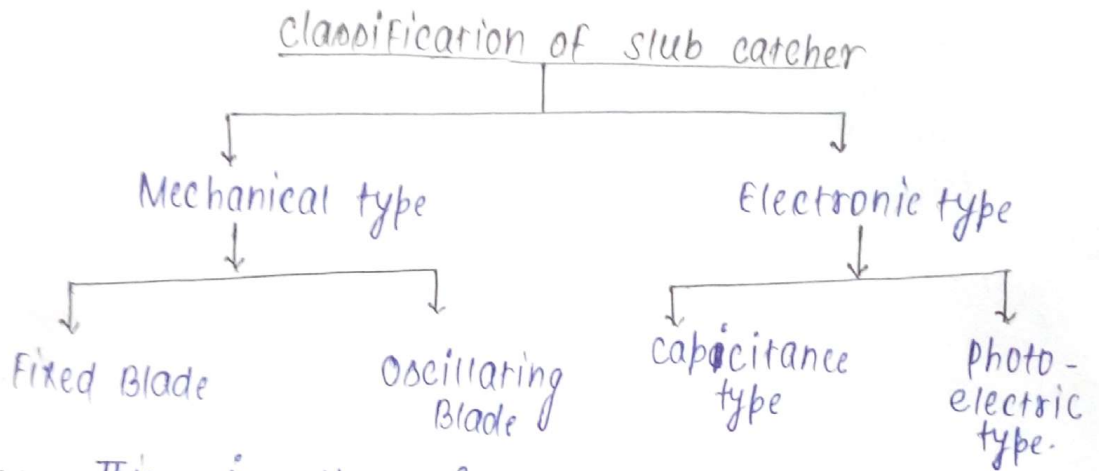


WEAVING PREPARATION - Ist

Q.1 Discuss classification of slub catcher and draw a neat sketch of electronic slub catcher (photo cell type)

Ans:- Yarn clearer (slub catcher):- The main objective of yarn clearer is to remove the objectionable faults like big knots, slubs & snarls.



1. Fixed Blade Type:- This is the simplest type of slub catcher in which the yarn is passed between two blades which are separated by the gap.

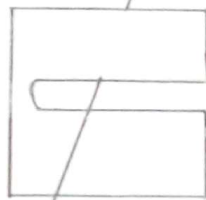


fig:- Fixed Blade Type

2. Oscillating Blade Type Yarn clearer:- It has a spring loaded light weight blade fitted on Anwill roller, which has cut surface or has tinny particles on the surface (knurling) so it is also called knurling roller. In this by adjusting the position of stop we can adjust the gap (clear gap). Spring has tendency to pull the blade upward. Yarn thick places are cut between the blade and the knurling roller.

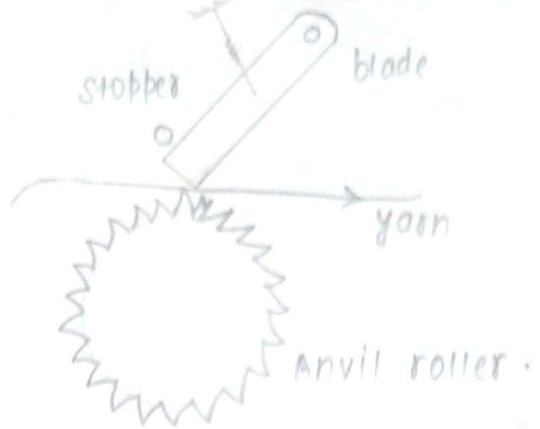
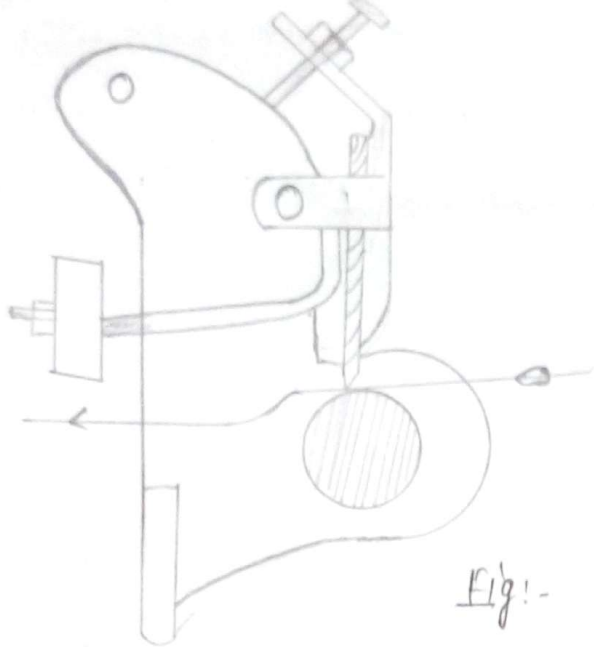
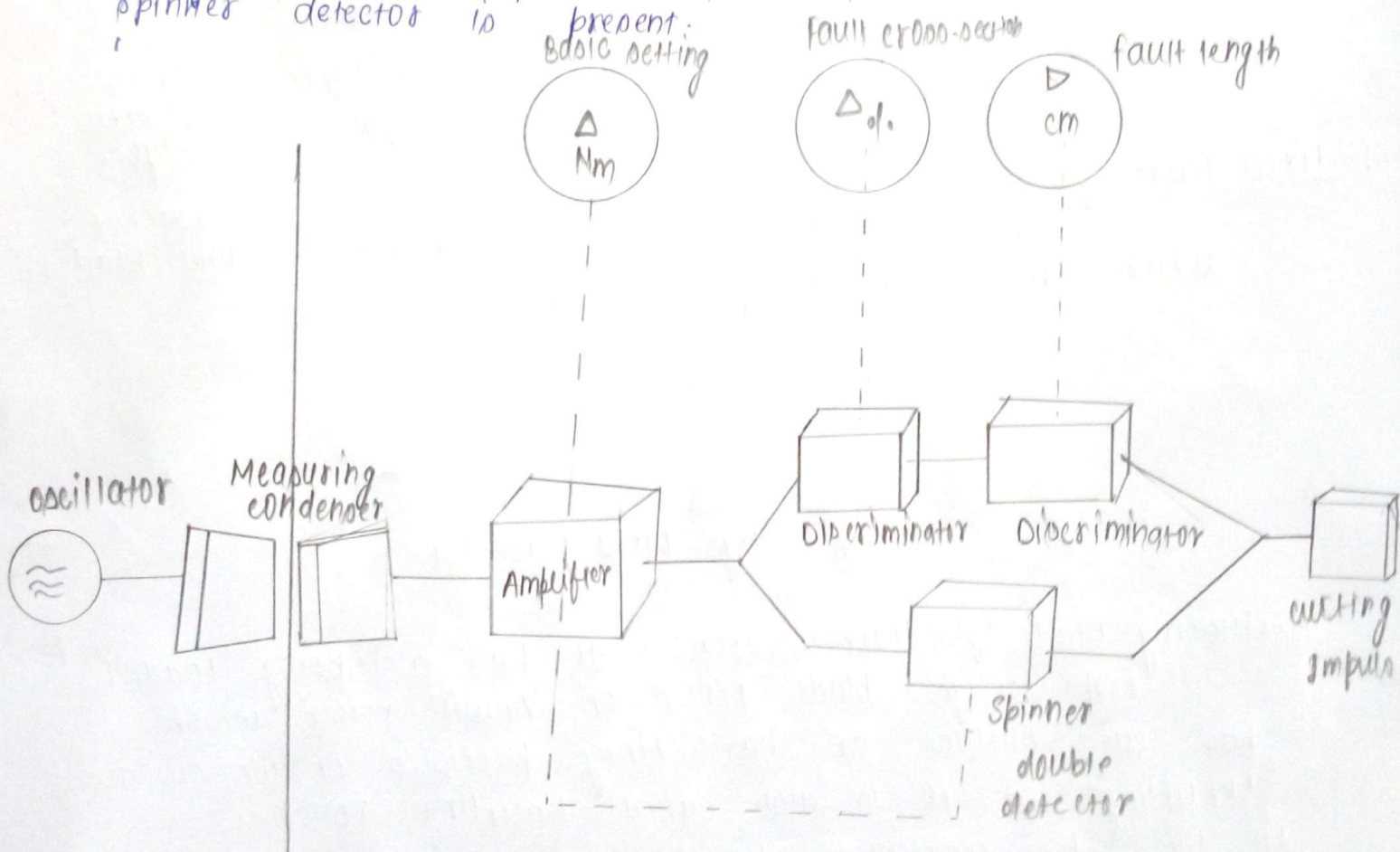
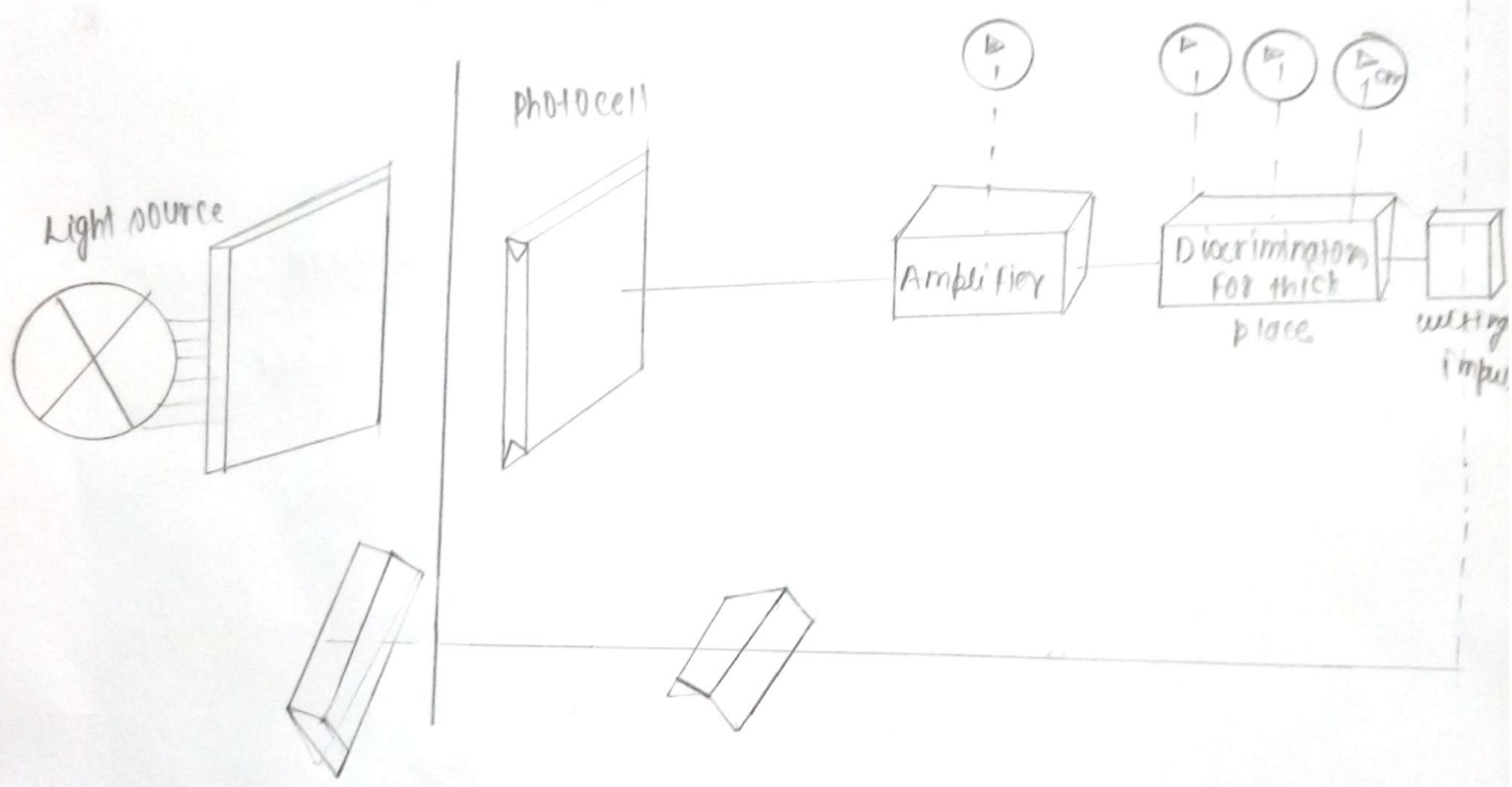


Fig:- Oscillating Blade Type Yarn clearer

Capacitance Type yarn clearer: - In this capacitance clearer the yarn passes through an air-spaced condenser and the change in capacitance is related to the mass of the material between the plates. And the yarn is passed through two capacitor. In this the amplifier discriminator, yarn cutting clamp is provide in which there is a double spinner detector is present.



Photoelectric-Type Yarn clearer:- In this photoelectric or optical electronic yarn clearer, the yarn is scanned by a light source and the scanned portion interrupts the beam, which thus changes the signal from the photo-electric cell. In a sense the device measures the diameter or profile of yarn. Hence again if limits are exceeded, the cutter is brought into operation. In this way photo-electric yarn clearer works on the principle of change in cross-section of yarn. The running yarn is continue sensed by a light source from the particular photocell.



Q.2 - what is the object of winding Machine? draw a neat sketch of Autocones machine.

Ans:- Object of winding machine:- It is the machine which is used to convert big package like cheese into suitable package like cone.

- * It also remove the objectionable faults
- * It is used to detect the fault place throughout the yarn.

Autoconer: - It is the machine which is used to convert big package like cheese into suitable package like cone. It has a high speed winding machine having speed of 450-2000 mtr/min.

